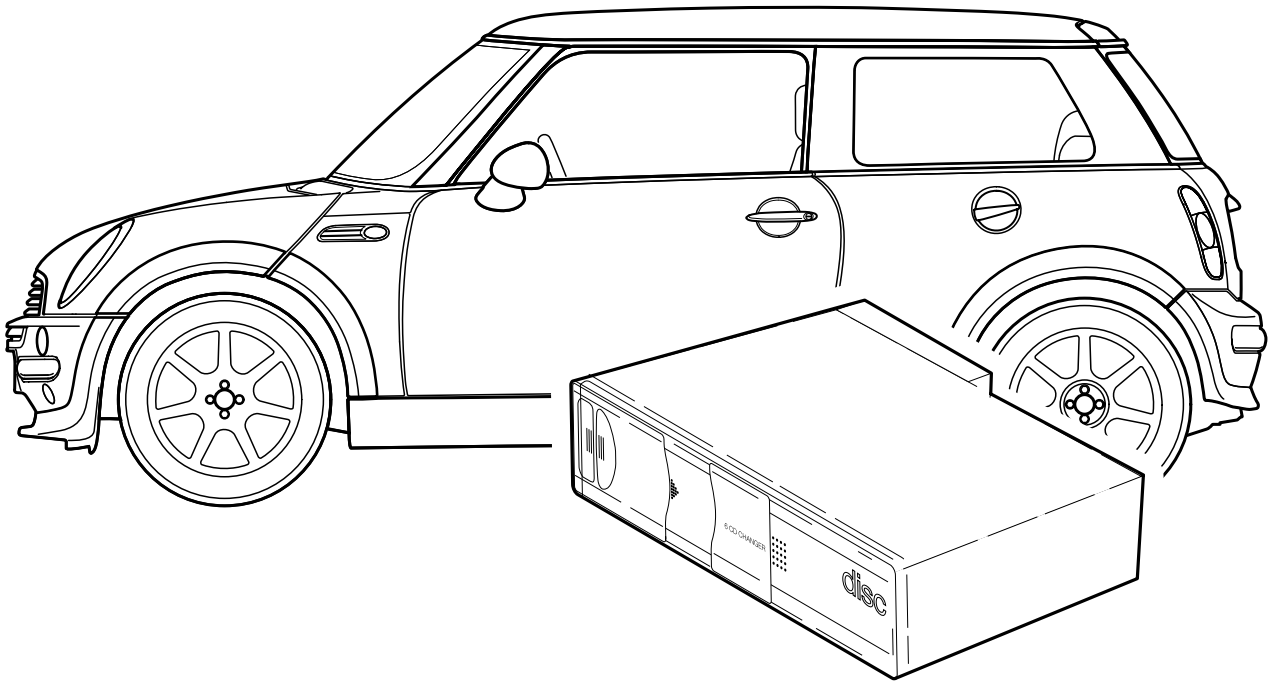




# Parts and Accessories Installation Instructions



R50 0052 Z

---

## **CD changer retrofit kit MINI (R 50 and R 53) LHD and RHD**

The installation time is approx. 1.5 hours, but this may vary depending on the condition of the car and the equipment in it.

Retrofit kit: 65 12 0 029 478  
65 12 0 139 549

## Contents

Section	Page
Important information . . . . .	3
1. Preparations . . . . .	4
2. Installation and cabling diagram . . . . .	5
3. Parts list . . . . .	6
4. CD change wiring harness connection diagram without a new generation radio . . . . .	7
5. CD change wiring harness connection diagram with a new generation radio. . . . .	8
6. To install and connect the CD changer wiring harness . . . . .	9
7. To install the CD changer . . . . .	11
8. Coding . . . . .	13
9. Concluding work . . . . .	14
10. CD changer circuit diagram . . . . .	15

## **Important information**

The retrofit kit is only for use within the dealership organisation.

Do not kink or damage the cables during the installation work since otherwise they may cause faults that can later only be identified by extensive additional work. The costs incurred as a result of this will not be reimbursed.

If the specified PIN chambers are occupied, bridges, double crimps or twin-lead terminals must be used.

## **Target group**

The target group for these installation instructions is specialist personnel trained on MINI cars with specialist knowledge of vehicle electrical systems.

Work:

All servicing, repair and installation work on MINI cars is completed at your own risk.

All work is to be carried out using current MINI

- Repair manuals
- Circuit diagrams

in a rational order using the prescribed tools (special tools) and observing current health and safety regulations.

## **Required tools and equipment**

Set of flat screwdrivers

Set of Philips screwdrivers

Torch

1/4 inch socket set

1/4 inch Torx socket set

Crimping pliers for AMP contacts

Angle cutter

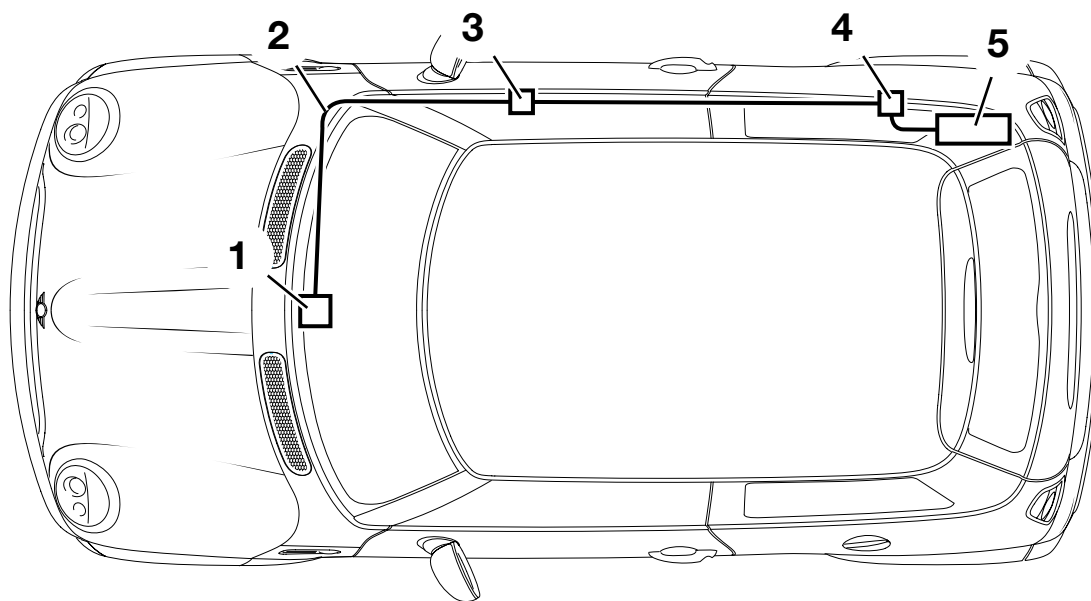
Drill

Twist drill 3 mm

## 1. Preparations

	<b>TIS instruction No.</b>
Disconnect the negative pole of the battery	12 00 ...
<b>The following components must be removed first of all:</b>	
Rear seat bench	
Rear seat backrest, right	
Boot sill cover, rear	
Boot trim, right	
Right door sill strip	
Top instrument panel cover	
Radio	

## 2. Installation and cabling diagram

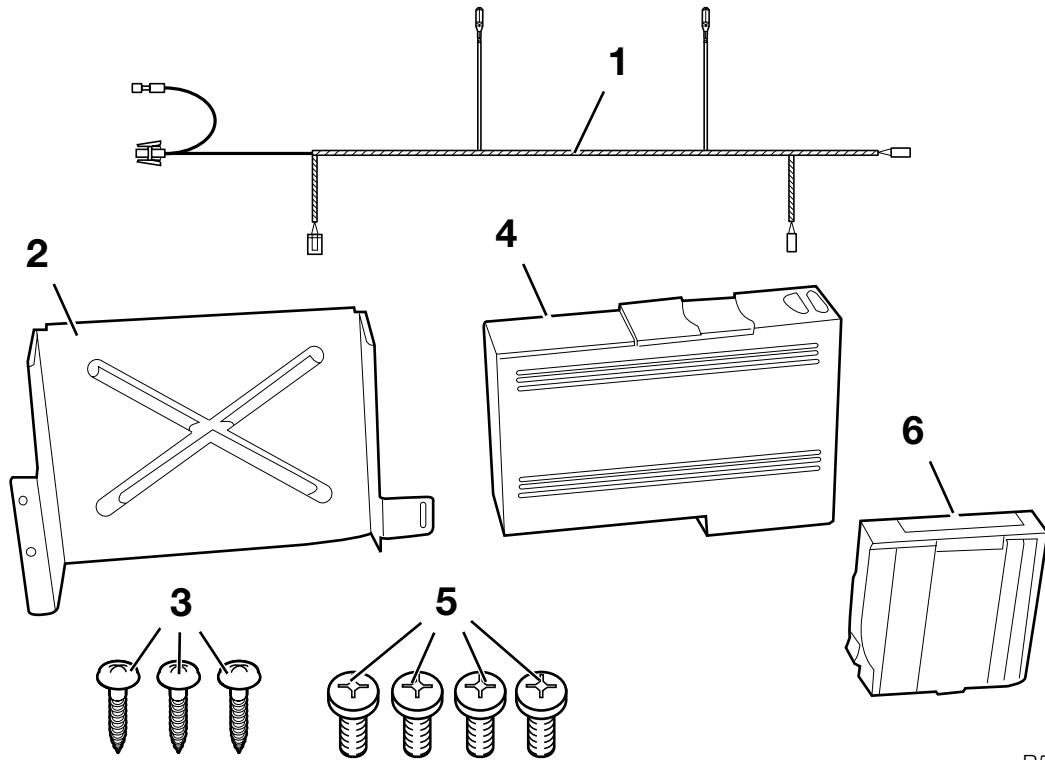


R50 0051 Z

### Legend

- 1 Radio plug X18126
- 2 CD changer wiring harness
- 3 K bus joint connector X10116
- 4 Joint connector earth X494
- 5 CD magazine

### 3. Parts list

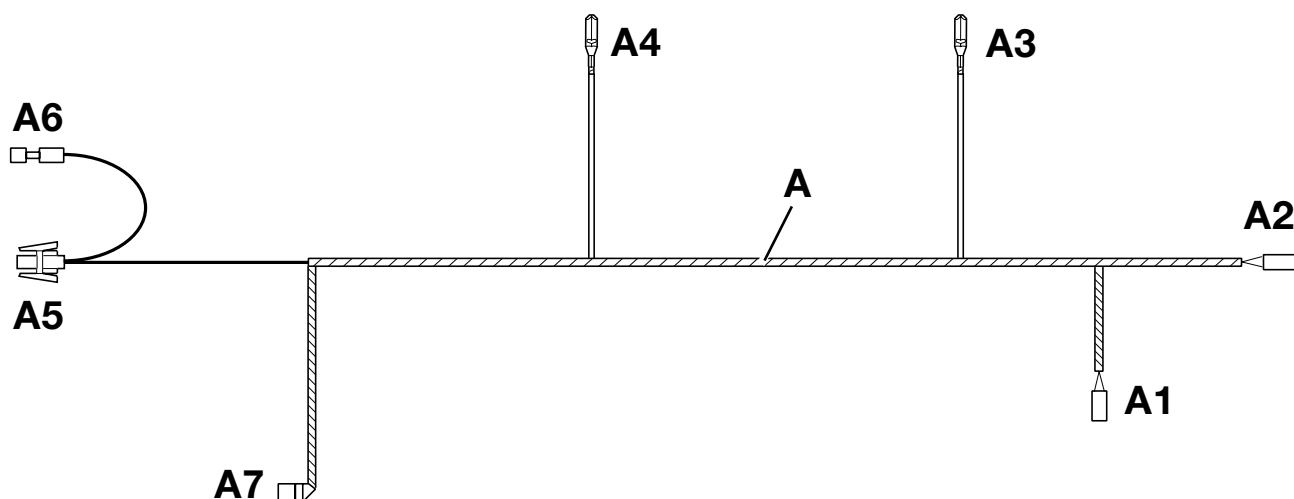


R50 0025 Z

#### Legend

- 1 CD changer wiring harness
- 2 Holder
- 3 Philips self-tapping screw (3x)
- 4 CD changer
- 5 Philips screw (4x)
- 6 CD magazine

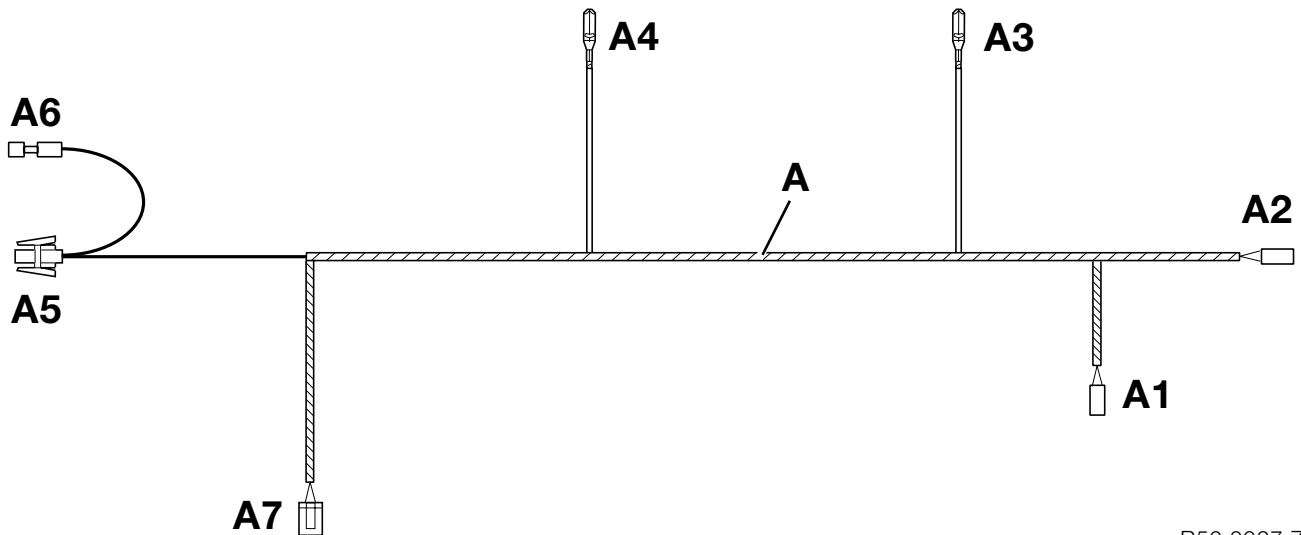
#### 4. CD change wiring harness connection diagram without a new generation radio



R50 0029 Z

Item	Description	Signal	Cable colour / Cross-section	Connection location in the car	Abbreviation / Slot
A	CD changer wiring harness	---	---	---	---
A1	Black 3-pin socket casing	---	---	To CD changer	---
A2	Black 6-pin socket casing	---	---	To CD changer	---
A3	Joint connector contact	Terminal 31	BR 0.5 mm <sup>2</sup>	To joint connector on the rear right side panel	X494
A4	Joint connector contact	K bus	WS/RT/GE 0.35 mm <sup>2</sup>	To joint connector under the door sill strip at the front right	X10116
A5	Socket casing	Terminal 30	RT/BR 0.5 mm <sup>2</sup>	To the new generation radio plug	X18126 PIN 9
A6	Plug casing	Terminal 30	RT/BR 1.5 mm <sup>2</sup>	To the new generation radio plug	X18126 PIN 9
A7	Black 10-pin socket casing	---	---	To the new generation radio plug	X18126

## 5. CD change wiring harness connection diagram with a new generation radio

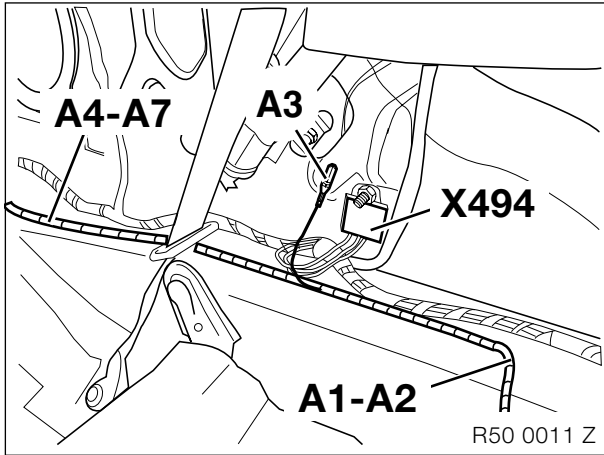


R50 0027 Z

Item	Description	Signal	Cable colour / Cross-section	Connection location in the car	Abbreviation / Slot
A	CD changer wiring harness	---	---	---	---
A1	Black 3-pin socket casing	---	---	To CD changer	---
A2	Black 6-pin socket casing	---	---	To CD changer	---
A3	Joint connector contact	Terminal 31	BR 0.5 mm <sup>2</sup>	To joint connector on the rear right side panel	X494
A4	Joint connector contact	K bus	WS/RT/GE 0.35 mm <sup>2</sup>	To joint connector under the door sill strip at the front right	X10116
A5	Socket casing	Terminal 30	RT/BR 0.5 mm <sup>2</sup>	To the radio plug	X18126 PIN 15
A6	Plug casing	Terminal 30	RT/BR 1.5 mm <sup>2</sup>	To the radio plug	X18126 PIN 15
A7	WS 12-pin socket casing	---	---	To the radio plug	X18126



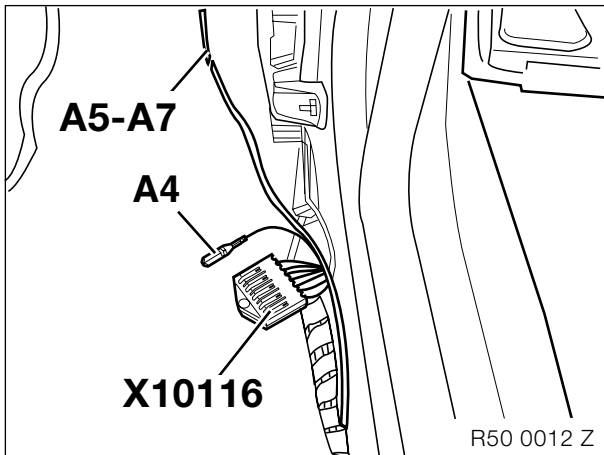
## 6. To install and connect the CD changer wiring harness



Connect branch **A3**, brown cable, to joint connector **X494**.

☐ If all the contacts in joint connector **X494** are occupied, connect branch **A3** with a miniature connector. ◀

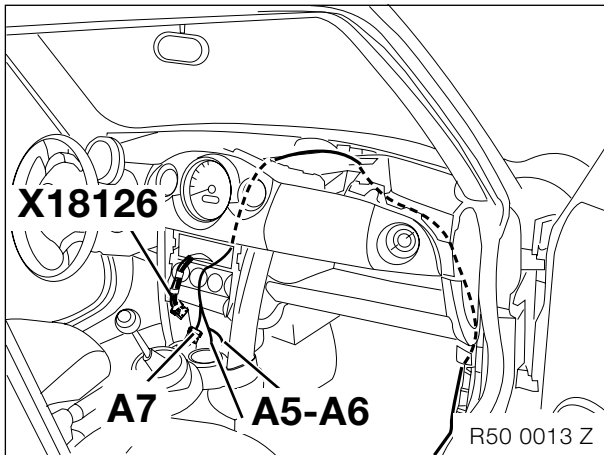
Lay branches **A4-A7** along the standard wiring harness to the footwell at the front right and branch **A1-A2** to the boot floor.



Connect branch **A4**, white/red/yellow cable to joint connector casing **X10116**.

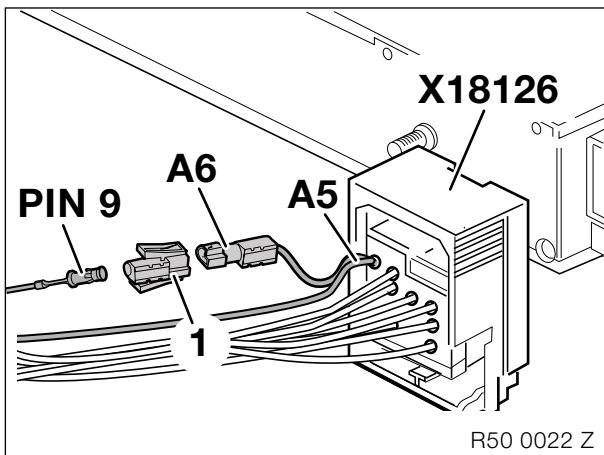
☐ If all the contacts in joint connector **X10116** are occupied, connect branch **A4** with a miniature connector. ◀

Lay branches **A5-A7** along the standard wiring harness to the radio plug **X18126**.

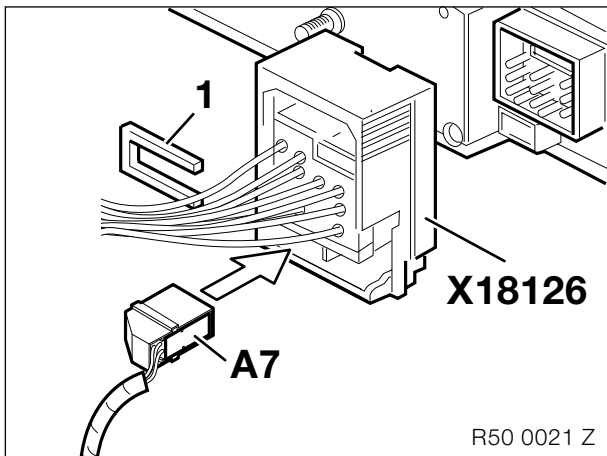


### Cars without a new generation radio only

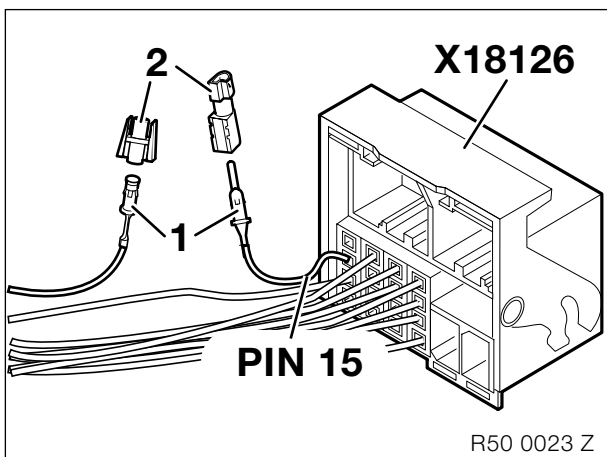
Disconnect the cable from **PIN 9**, red/green cable, from plug **X18126**, fit it with the enclosed socket casing (1) and connect it to branch **A6**. Disconnect the socket contact from branch **A5** and connect it to plug **X18126** in **PIN 9**.



6. To install and connect the CD changer wiring harness

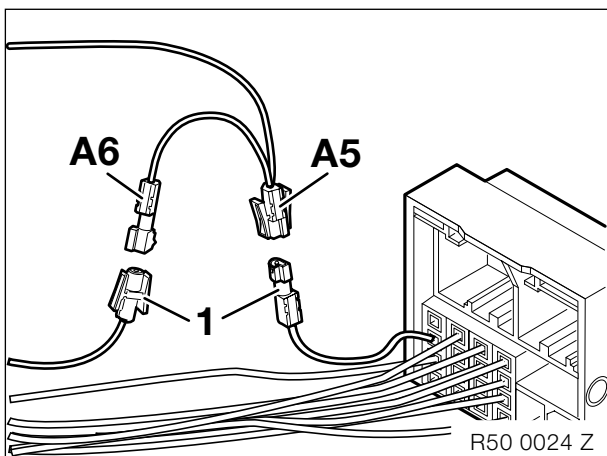


Pull out the fuse clip (1).  
Connect branch **A7** to the radio plug **X18126**.  
Replace the fuse clip (1).

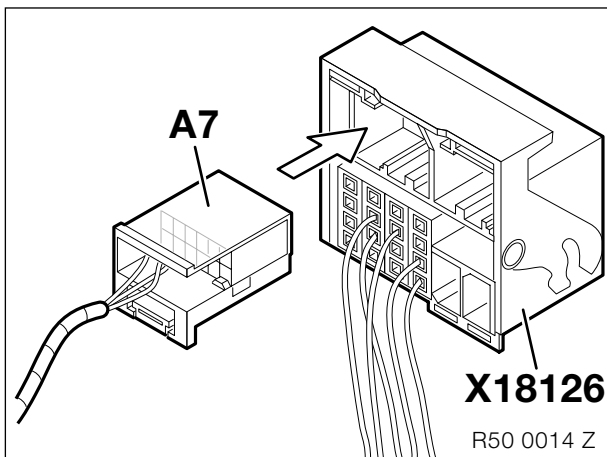


**Cars with a new generation radio only**

Cut the cable from **PIN 15**, red/brown cable, at a suitable point and crimp on the enclosed socket and plug contact (1).  
Fit the socket and plug contact (1) with the enclosed casings (2).

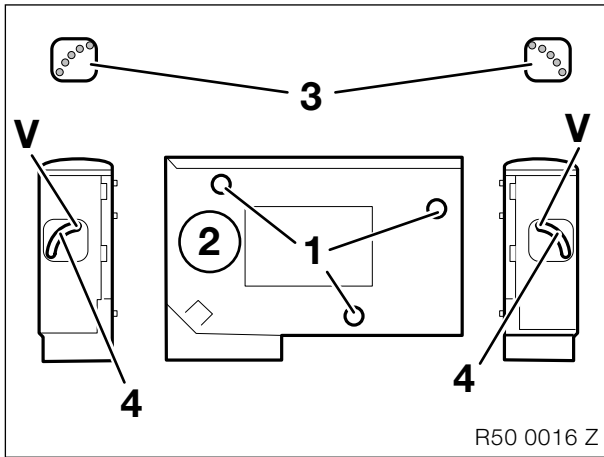


Connect the new contacts (1) to branches **A5** and **A6**.



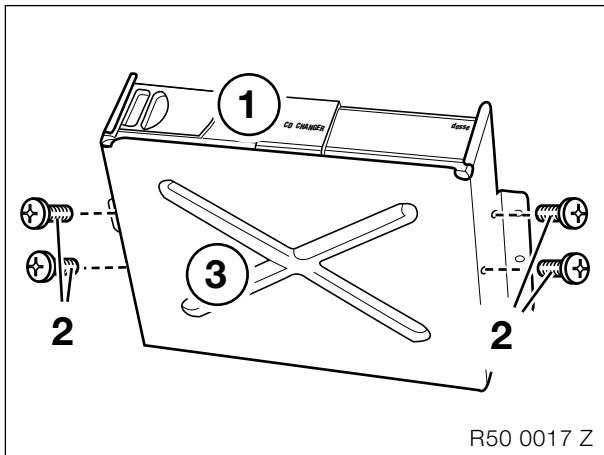
Connect branch **A7** to the radio plug **X18126**.

## 7. To install the CD changer

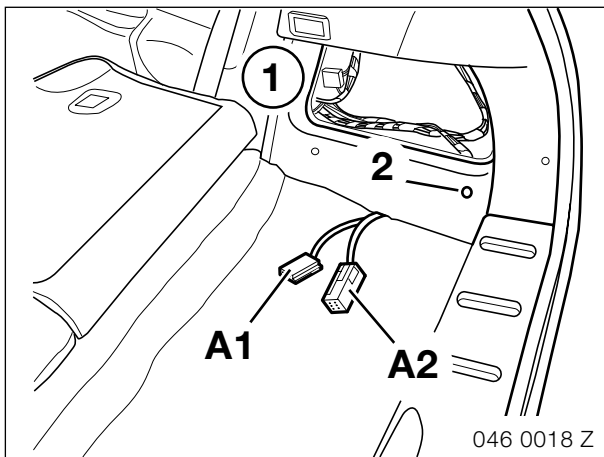


Remove the transport guards (1) from the CD changer (2) and seal the openings with the enclosed adhesive patches.

Remove the covers (3) and adjust the setting mechanism (4) to **V** (vertical installation). Fit the covers (3) again.



Screw the CD changer (1) to the holder (3) using the enclosed Philips screws (2).

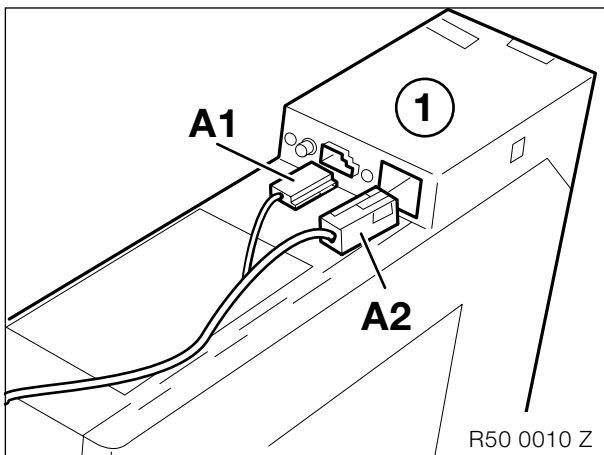


Fit the right boot trim (1) again.

Lay branches **A1** and **A2** under the boot trim (1) into the boot as shown.

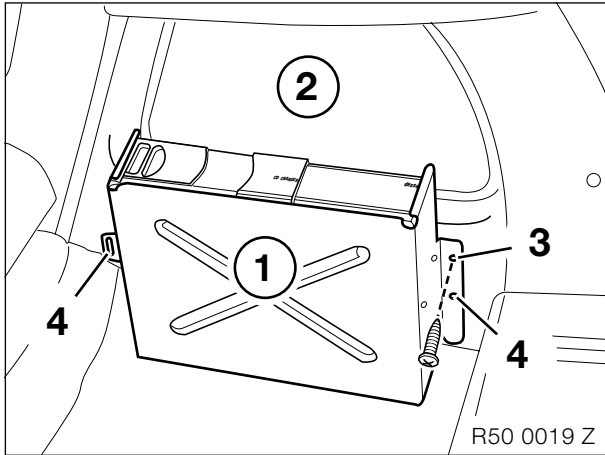


Do **not** fit the shown Philips self-tapping screw (2). ◀

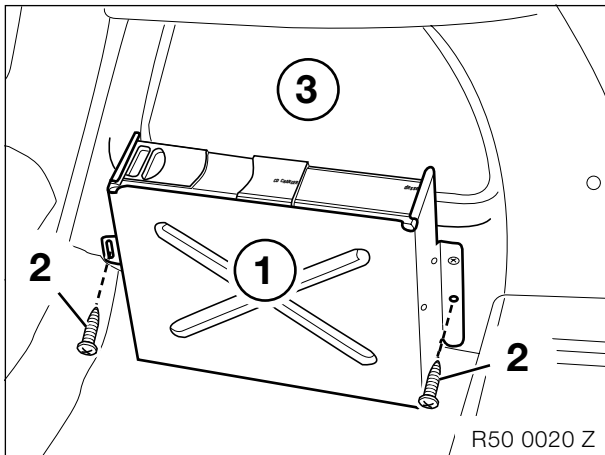


Connect branches **A1** and **A2** to the CD changer (1).

7. To install the CD changer



Place the CD changer with the holder (1) on the right boot trim (2) as shown and secure it with the existing Philips self-tapping screw (3). Mark the holes (4) and drill them in the boot trim (2) with a 3.0 mm twist drill bit.



Secure the CD changer and holder (1) to the boot trim (3) using the enclosed Philips self-tapping screws (2).

## 8. Coding

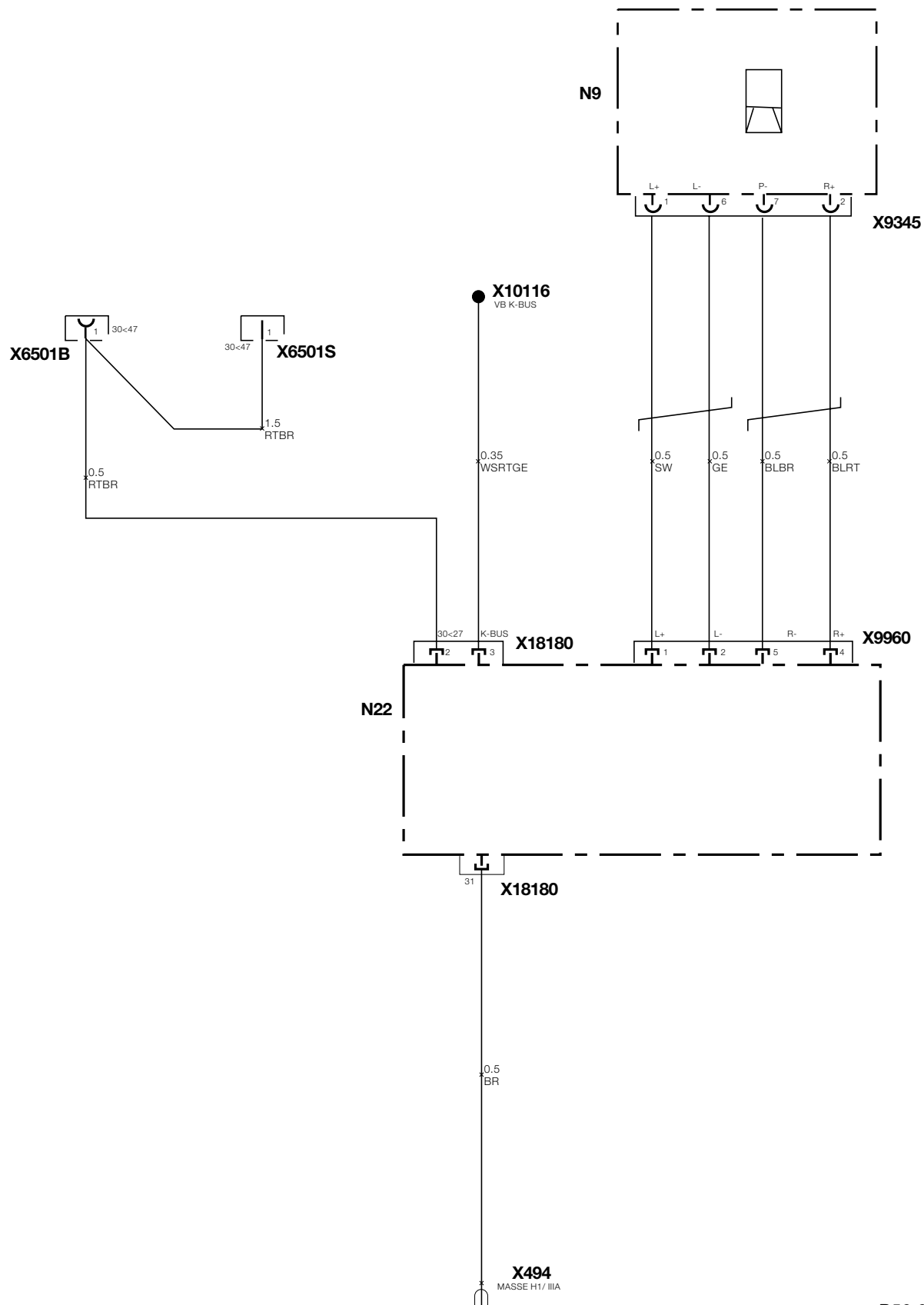
Retrofitting the CD changer is **not** coding relevant and **cannot** be diagnosed.

## 9. Concluding work

- Connect the battery
- 
- Conduct a function test
- 
- Assemble the car again following the instructions to dismantle it in reverse order.

# 10. CD changer circuit diagram

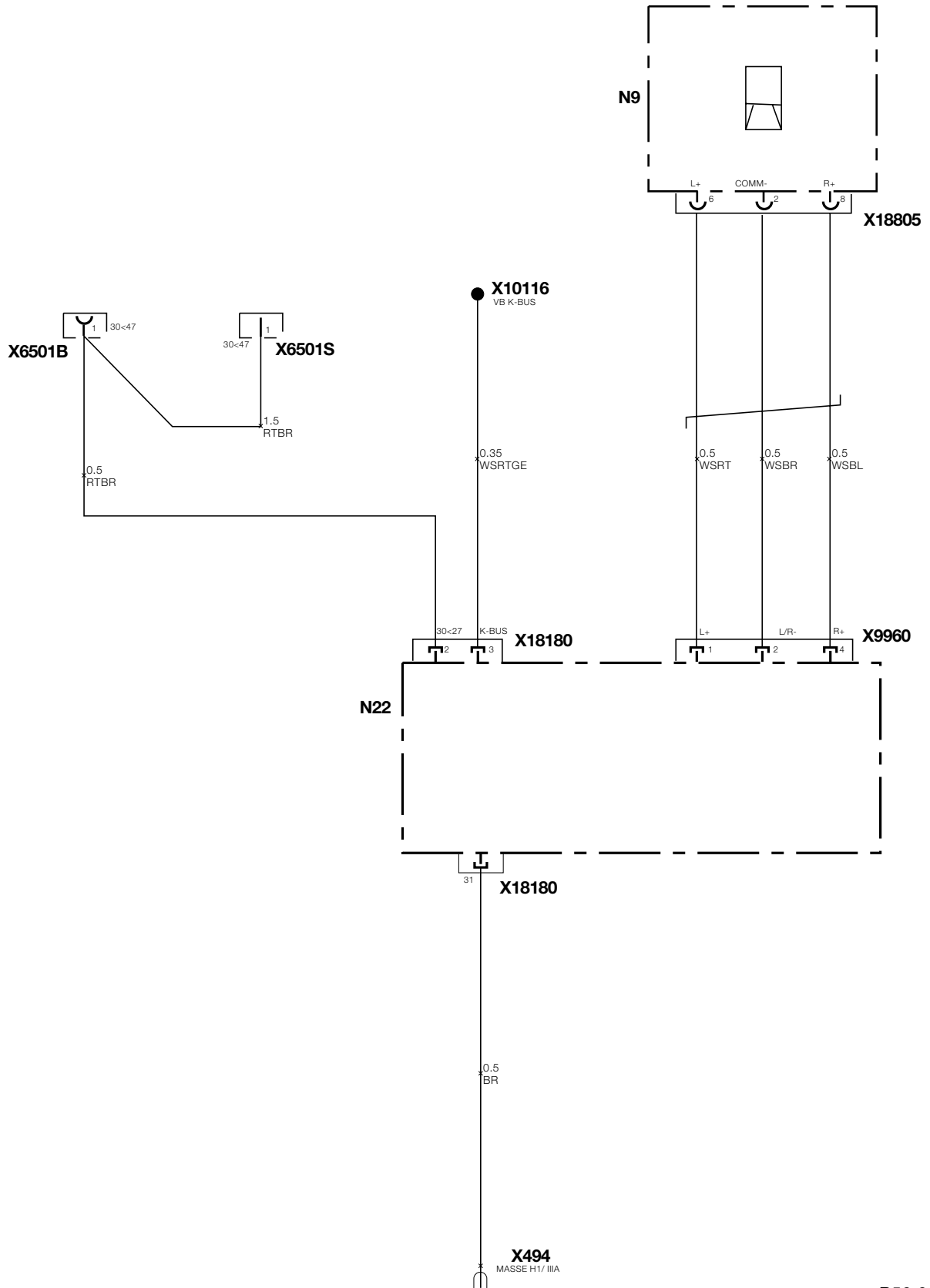
 Cars **without** a new generation radio only. ◀



R50 0028 Z

# 10. CD changer circuit diagram

 Cars **with** a new generation radio only. ◀



R50 0026 Z



## 10. CD changer circuit diagram

### Legend

N9	Radio
N22	CD changer
X494	Earth HI/IIIA
X6501	Radio connector
X9345	Radio plug connector
X9960	CD changer
X10116	I bus connector
X18180	CD changer

### Cable colours

SW	black
RT	red
BR	brown
GE	yellow
WS	white
BL	blue