

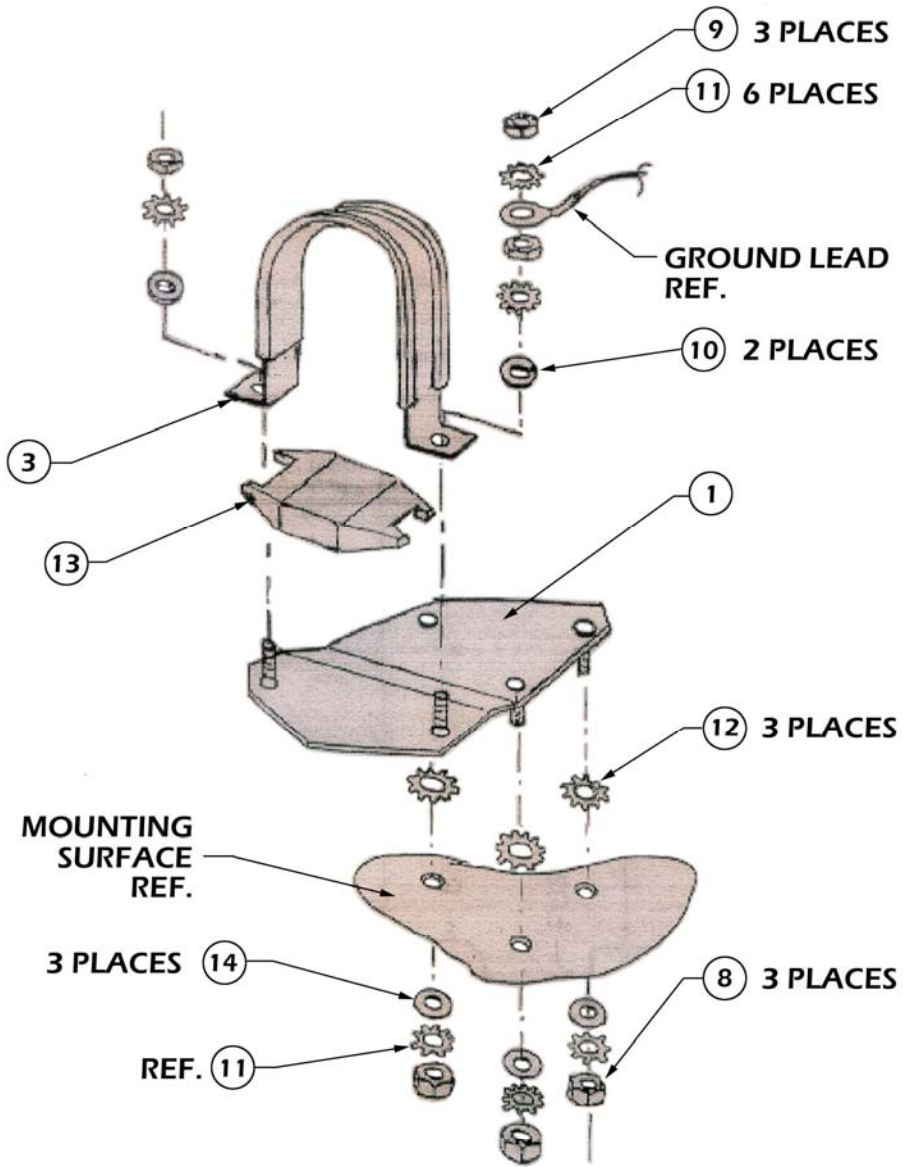
Fitting instructions Kit # MMKT0700 2 Speed Wiper Installation

This kit provides the electrical and mechanical hardware and instructions to install a 2-speed windscreen wiper motor in place of the original 1-speed unit. This kit does not contain the 2-speed motor, gear and connection link which must be acquired separately. The instruction covers the general operations required for fitting. Refer to a good shop manual for detail operations, e.g. wiper motor removal.

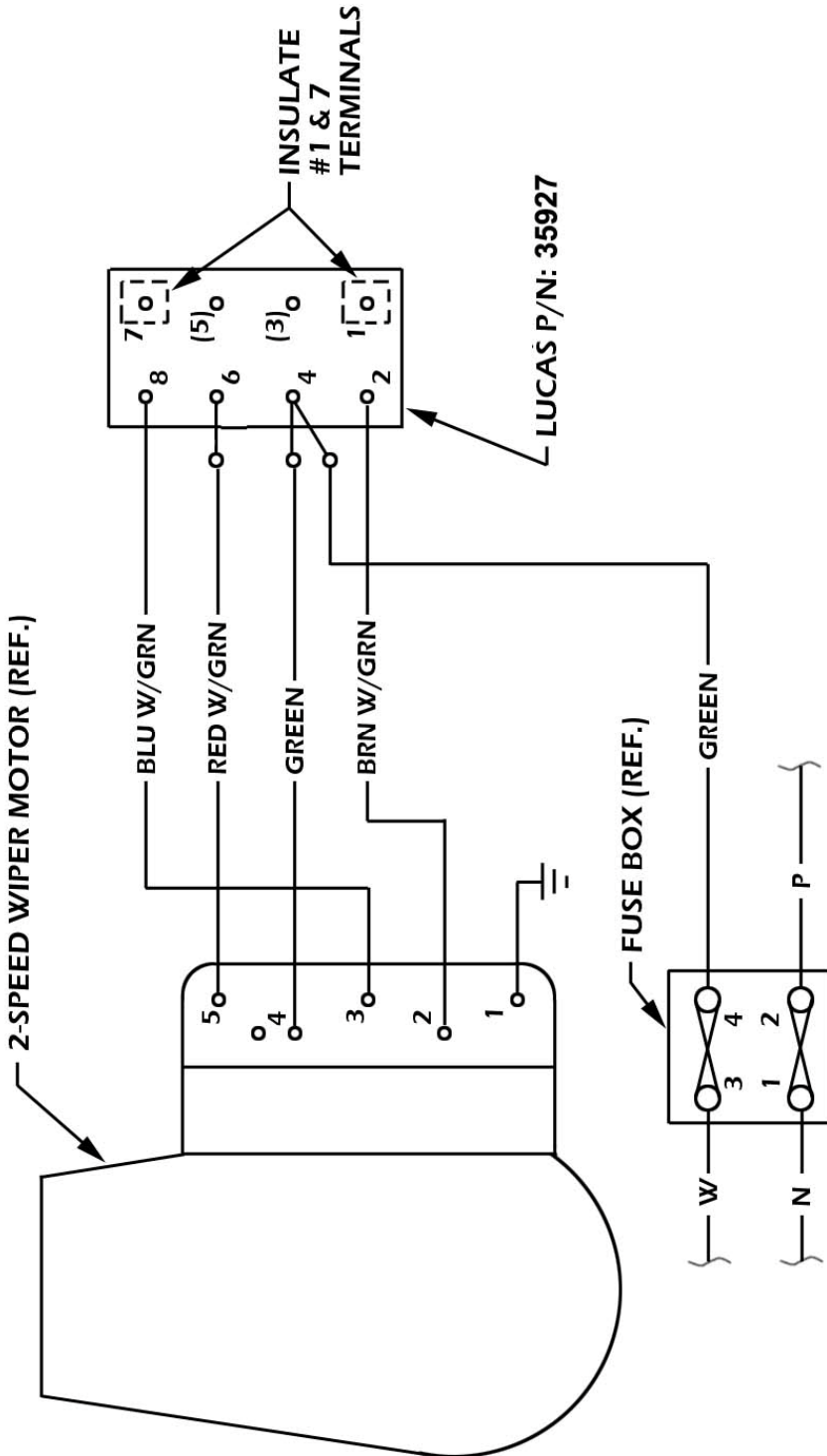
- A. Disconnect the battery by removing the ground strap.
- B. Remove the original wiper switch from the panel and remove or secure the associated wiring.
- C. Route the BW70 Harness through the bulkhead leaving the connector in the approximate location of the motor.
- D. Connect the wires to the switch as shown in Figure 2. Connect the lead to the fuse box.
 - a. The lead is furnished with female connectors on both ends. If the fusebox is the early, screw terminal type, cut off the connector at the fuse box end and strip the insulation to insert in the terminal.
 - b. Insulate pins 1 and 7 of the switch.
- E. Install the switch in the panel and dress and secure the harness and lead.
- F. Remove the original wiper motor and flexible rack. Remove the rack from the original motor housing and transfer 2-speed motor. Take care to keep the rack from contamination.
- G. Install the 1G1002 Adapter Bracket using the original motor mounting holes as shown in Figure 1. The 3/8" toothed lock washers are installed between the adapter bracket and the bodywork mounting surface to provide a good electrical ground. Run down nuts only finger tight now.
- H. Re-install the flexible rack in the outer tube but do not re-install the wiper arms at this time.
- I. Attach the connector to the motor and secure the motor to the bracket with the mounting strap and pad as shown in Figure 1.
- J. Reconnect batter and activate the motor with the switch. Adjust motor and/or bracket position as required to achieve smooth operation. When satisfactory operation has been achieved, fully tighten all fasteners.
- K. Drive the wipers to their park position by turning the wiper switch off then re-install the wiper arms in the appropriate position.

Parts List Kit # MMKT0700

<u>Ref. No.</u>	<u>Part No.</u>	<u>Description</u>	<u>Qty/Kit</u>
1	1G1002	Bracket, Adapter	1
2	LU35927	Switch (Main Lighting)	1
3	37H4836	Strap, Motor Mounting	1
4	BW70	Harness	1
5	6G0001	Tube (Therman Shrink)	1
6	NP3241	Hex Nut, 1/4-20, Gr5	3
7	NP5241	Jam Nut, 1/4-20, Gr5	4
8	WS2041	SAE Washer, 1/4"	2
9	WT2041	Toothed Lockwasher, External, 1/4"	6
10	WT2061	Toothed Lockwasher, External, 3/8"	4
11	150844	Pad, Motor Mounting	1
12	WU2041	USS Washer, 1/4"	3



GENERAL INSTALLATION
FIGURE 1
 (MOTOR NOT SHOWN)



2-SPEED WIPER CONVERSION WIRING
FIGURE 2